

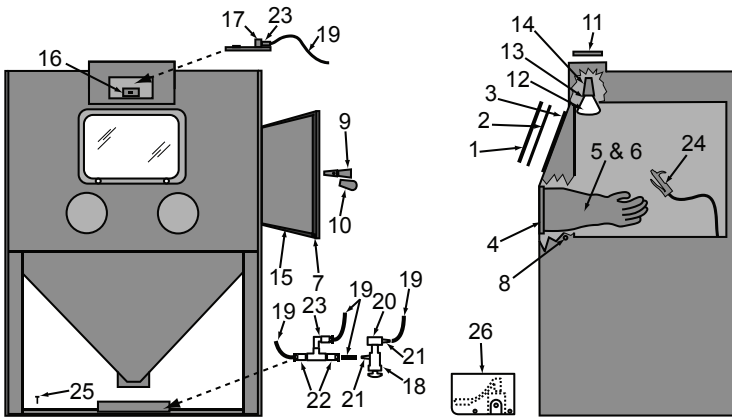


PARTS CHECKLIST

Be Sure The Part You Need Is The Part You Get



Empire Style Cabinet Parts



Customer PO #: _____
 Company Name: _____
 Contact Name: _____

Proudly Distributed By

To order parts, fill out this checklist and contact your Forecast Sales, Inc. Distributor

If you currently do not have a distributor, use the "Distributor Locator" tool on our website to find your 3 closest locations.

Line #		
<input type="checkbox"/>	1	510-401 GLASS, WINDOW, 14" x 22", LAMINATED
<input type="checkbox"/>	2	509-191 UNDERLAYMENT, 14" x 22", EACH
<input type="checkbox"/>	3	524-451 GASKET, WINDOW, 14" x 22" (80")
<input type="checkbox"/>	4	520-561 CLAMP, HOSE 8"
<input type="checkbox"/>	5	509-855 GLOVE, W/GAUNTLET, 28", NATURAL RUBBER HAND, LH
<input type="checkbox"/>	5	509-856 GLOVE, W/GAUNTLET, 28", NATURAL RUBBER HAND, RH
<input type="checkbox"/>	5	509-851 GLOVE, W/GAUNTLET, 28", NATURAL RUBBER HAND, PAIR

Line #		
<input type="checkbox"/>	6	509-891L GLOVE, W/GAUNTLET, 31", LH
<input type="checkbox"/>	6	509-891R GLOVE, W/GAUNTLET, 31", RH
<input type="checkbox"/>	6	509-891 GLOVE, W/GAUNTLET, 31", PAIR
<input type="checkbox"/>	7	525-041 BUMPER, RUBBER
<input type="checkbox"/>	8	753-651 TUBE, EXTENSION, DOOR
<input type="checkbox"/>	9	760-361 HANDLE, DOOR
<input type="checkbox"/>	10	509-571 COVER, HANDLE (RIGHT & LEFT)













PARTS CHECKLIST

Be Sure The Part You Need Is The Part You Get



Line #		
<input type="checkbox"/>	11	 510-491 FILTER, FIBERGLASS (5" x 6")
<input type="checkbox"/>	12	 532-701 SPOTLIGHT, 120 VAC
<input type="checkbox"/>	13	 580-191 GASKET, SPOTLIGHT, NEOPRENE (2 REQUIRED)
<input type="checkbox"/>	14	 532-711 FIXTURE, LIGHT
<input type="checkbox"/>	15	 525-671 GASKET, DOOR, 2636 (7'2")
<input type="checkbox"/>	15	 525-681 GASKET, DOOR, 3648 & 3696 (10'4")
<input type="checkbox"/>	15	 525-691 GASKET, DOOR, 4848 (12'7")
<input type="checkbox"/>	15	 525-701 GASKET, DOOR, 6060 & 60120 (15'0")
<input type="checkbox"/>	15	 524-441 GASKET, DOOR, 3/4" x 3/4" (PER FT) (30' ROLL)
<input type="checkbox"/>	16	 534-561 SWITCH, ON/OFF, 20A

Line #		
<input type="checkbox"/>	17	 519-001 VALVE, SOLENOID, 3-WAY, N.C., 3/64"
<input type="checkbox"/>	18	 517-221 VALVE, PUSH BUTTON, 3 WAY
<input type="checkbox"/>	19	 510-541 TUBING, POLYETHYLENE, 1/4" (PER FT)
<input type="checkbox"/>	20	 521-911 ELBOW, BRASS, #10-32
<input type="checkbox"/>	21	 521-101 CONNECTOR, BRASS 1/4" TUBE x 10-32
<input type="checkbox"/>	22	 520-252 ADAPTER, 1/4" TUBE x 1/8" MPT
<input type="checkbox"/>	23	 520-432 ADAPTER, 1/4" TUBE X 1/8" MPT, 90°
<input type="checkbox"/>	24	 509-821 GUN, DUST OFF, 1/4" NPT
<input type="checkbox"/>	25	 551-742 BOLT, LEVELING 3/8"-16 x 2"
<input type="checkbox"/>	26	 140-579 FOOT TREADLE, ASSY