

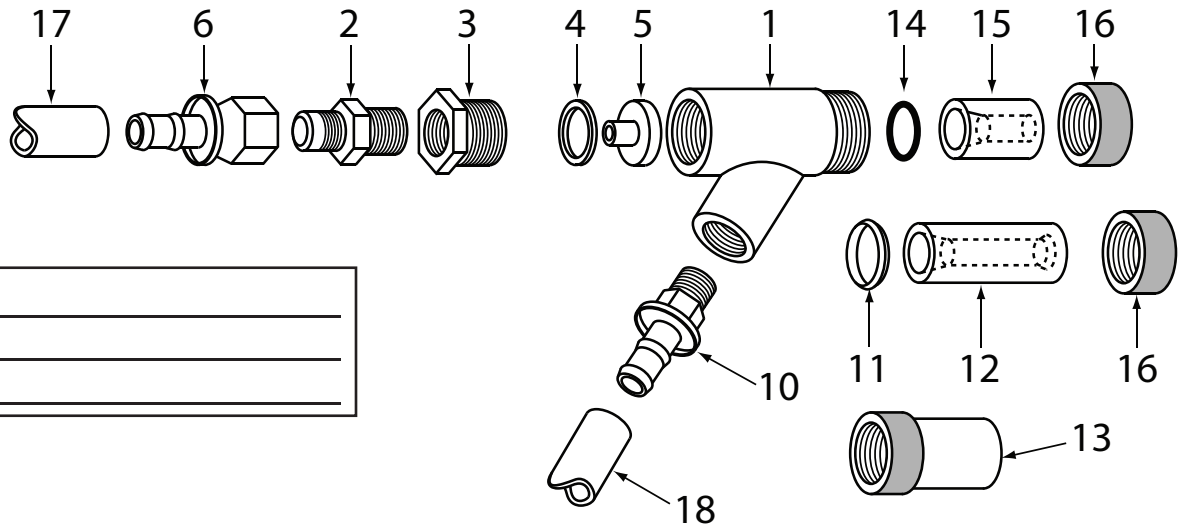


# PARTS CHECKLIST

Be Sure The Part You Need Is The Part You Get



## Clemco/Zero Style Old Style Automatic Gun & Parts



Customer PO #: \_\_\_\_\_  
 Company Name: \_\_\_\_\_  
 Contact Name: \_\_\_\_\_

Line #	Image	Part Number	Description
<input type="checkbox"/> 1		<b>1655-200</b>	GUN, AUTO, LEFT MOUNT, OLD STYLE
<input type="checkbox"/> 1		<b>1655-210</b>	GUN, AUTO, CENTER MOUNT, OLD STYLE
<input type="checkbox"/> 1		<b>1655-220</b>	GUN, AUTO, RIGHT MOUNT, OLD STYLE
<input type="checkbox"/> 1		<b>1655-330</b>	GUN, AUTO, TUMBLE BASKET, OLD STYLE
<input type="checkbox"/> 2		<b>1219-360</b>	FITTING, 3/8" NPT x 1/2" UNION
<input type="checkbox"/> 2		<b>1219-20</b>	FITTING, 3/8" NPT x 3/8" UNION
<input type="checkbox"/> 3		<b>139-50</b>	HEX BUSHING
<input type="checkbox"/> 4		<b>1580-220</b>	WASHER, RUBBER, 1"
<input type="checkbox"/> 5		<b>1349-270</b>	ORIFICE, 1/8", OLD STYLE

Line #	Image	Part Number	Description
<input type="checkbox"/> 5		<b>1349-280</b>	ORIFICE, 5/32", OLD STYLE
<input type="checkbox"/> 5		<b>1349-290</b>	ORIFICE, 3/16", OLD STYLE
<input type="checkbox"/> 5		<b>1349-330</b>	ORIFICE, 7/32", OLD STYLE
<input type="checkbox"/> 5		<b>1349-350</b>	ORIFICE, 1/4", OLD STYLE
<input type="checkbox"/> 6		<b>1219-30</b>	FITTING, 3/8" SWIVEL x 3/8" PUSH LOK
<input type="checkbox"/> 6		<b>1219-300</b>	FITTING, 1/2" SWIVEL x 1/2" PUSH LOK
<input type="checkbox"/> 6		<b>1219-350</b>	FITTING, 1/2" SWIVEL x 3/8" BARB
<input type="checkbox"/> 10		<b>1219-340</b>	FITTING, 1/2" BARB STEM
<input type="checkbox"/> 11		<b>1424-480</b>	RETAINING RING, WIDE SPRAY



# PARTS CHECKLIST

Be Sure The Part You Need Is The Part You Get



Line #		
<input type="checkbox"/>	12	 <b>1348-590</b> NOZZLE, BORON CARBIDE, STRAIGHT BORE, WIDE SPRAY, 5/16" BORE
<input type="checkbox"/>	12	 <b>1348-600</b> NOZZLE, BORON CARBIDE, STRAIGHT BORE, WIDE SPRAY, 3/8" BORE
<input type="checkbox"/>	12	 <b>1348-610</b> NOZZLE, BORON CARBIDE, STRAIGHT BORE, WIDE SPRAY, 7/16" BORE
<input type="checkbox"/>	12	 <b>1348-615</b> NOZZLE, BORON CARBIDE, STRAIGHT BORE, WIDE SPRAY, 1/2" BORE
<input type="checkbox"/>	12	 <b>1348-1820</b> NOZZLE, TUNGSTEN CARBIDE, STRAIGHT BORE, WIDE SPRAY, 3/8" BORE
<input type="checkbox"/>	12	 <b>1348-580</b> NOZZLE, BORON CARBIDE, STRAIGHT BORE, WIDE SPRAY, 1/4" BORE
<input type="checkbox"/>	13	 <b>1661-60</b> GUARD, WIDE SPRAY NOZZLE
<input type="checkbox"/>	14	 <b>1423-70</b> O-RING
<input type="checkbox"/>	15	 <b>1348-380</b> NOZZLE, CERAMIC, STRAIGHT BORE, GUN INSERT, 5/16" BORE
<input type="checkbox"/>	15	 <b>1348-390</b> NOZZLE, CERAMIC, STRAIGHT BORE, GUN INSERT, 3/8" BORE
<input type="checkbox"/>	15	 <b>1348-450</b> NOZZLE, TUNGSTEN CARBIDE, STRAIGHT BORE, GUN INSERT, 5/16" BORE
<input type="checkbox"/>	15	 <b>1348-1400</b> NOZZLE, TUNGSTEN CARBIDE, STRAIGHT BORE, GUN INSERT, 3/8" BORE

Line #		
<input type="checkbox"/>	15	 <b>1348-1040</b> NOZZLE, TUNGSTEN CARBIDE, STRAIGHT BORE, GUN INSERT, 7/16" BORE
<input type="checkbox"/>	15	 <b>1348-1000</b> NOZZLE, TUNGSTEN CARBIDE, STRAIGHT BORE, GUN INSERT, 1/2" BORE
<input type="checkbox"/>	15	 <b>1348-630</b> NOZZLE, BORON CARBIDE, STRAIGHT BORE, GUN INSERT, 5/16" BORE
<input type="checkbox"/>	15	 <b>1348-640</b> NOZZLE, BORON CARBIDE, STRAIGHT BORE, GUN INSERT, 3/8" BORE
<input type="checkbox"/>	15	 <b>1348-650</b> NOZZLE, BORON CARBIDE, STRAIGHT BORE, GUN INSERT, 7/16" BORE
<input type="checkbox"/>	15	 <b>1348-1090</b> NOZZLE, BORON CARBIDE, STRAIGHT BORE, GUN INSERT, 1/2" BORE
<input type="checkbox"/>	16	 <b>1347-1240</b> NUT, NOZZLE HOLDING
<input type="checkbox"/>	16	 <b>1347-1510</b> NUT, NOZZLE HOLDING, WIDE SPRAY
<input type="checkbox"/>	17	 <b>112-4720</b> HOSE, AIR, 1/2" INSTAGRIP
<input type="checkbox"/>	18	 <b>112-4760</b> HOSE, SUCTION, 1/2" URETHANE
<input type="checkbox"/>	18	 <b>112-4710</b> HOSE, SUCTION, BLACK, NOM. ID 1/2" x 15/16" OD, 2 PLY, PRICE PER FOOT, SECTION SIZE 400'

Proudly Distributed By

To order parts, fill out this checklist and contact your Forecast Sales, Inc. Distributor

If you currently do not have a distributor, use the "Distributor Locator" tool on our website to find your 3 closest locations.