



PARTS CHECKLIST

Be Sure The Part You Need Is The Part You Get



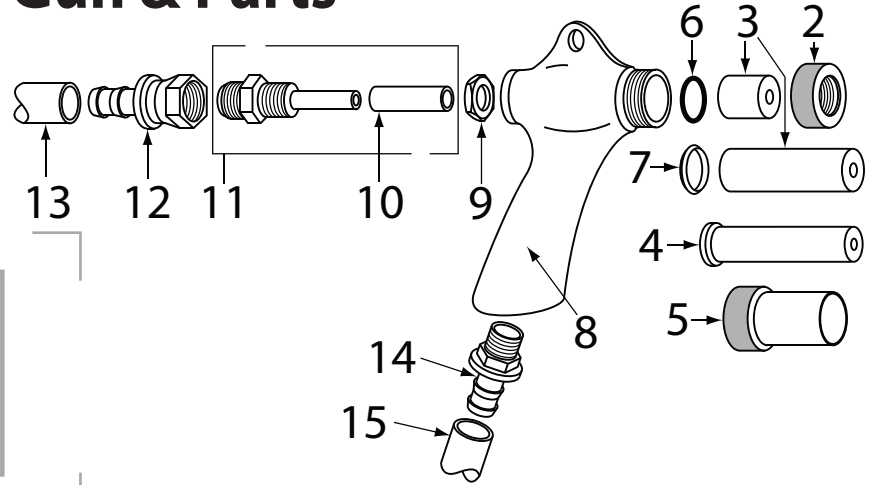
Clemco/Zero Style Hand Gun & Parts

Customer PO #: _____
 Company Name: _____
 Contact Name: _____

Proudly Distributed By

To order parts, fill out this checklist and contact your Forecast Sales, Inc. Distributor

If you currently do not have a distributor, use the "Distributor Locator" tool on our website to find your 3 closest locations.



Line #		
<input type="checkbox"/>		1667-810 GUN ASSEMBLY, W 1/8" ORIFICE, LESS NOZZLE
<input type="checkbox"/>		1667-820 GUN ASSEMBLY, W 5/32" ORIFICE, LESS NOZZLE
<input type="checkbox"/>		1667-830 GUN ASSEMBLY, W 3/16" ORIFICE, LESS NOZZLE
<input type="checkbox"/>		1667-840 GUN ASSEMBLY, W 7/32" ORIFICE, LESS NOZZLE
<input type="checkbox"/>		1667-850 GUN ASSEMBLY, W 1/4" ORIFICE, LESS NOZZLE
<input type="checkbox"/>	2	1347-1240 NUT, NOZZLE HOLDING
<input type="checkbox"/>	2	1347-1510 NUT, NOZZLE HOLDING, WIDE SPRAY
<input type="checkbox"/>	3	1348-380 NOZZLE, CERAMIC, STRAIGHT BORE, GUN INSERT, 5/16" BORE
<input type="checkbox"/>	3	1348-390 NOZZLE, CERAMIC, STRAIGHT BORE, GUN INSERT, 3/8" BORE

Line #		
<input type="checkbox"/>	3	1348-450 NOZZLE, TUNGSTEN CARBIDE, STRAIGHT BORE, GUN INSERT, 5/16" BORE
<input type="checkbox"/>	3	1348-1400 NOZZLE, TUNGSTEN CARBIDE, STRAIGHT BORE, GUN INSERT, 3/8" BORE
<input type="checkbox"/>	3	1348-1040 NOZZLE, TUNGSTEN CARBIDE, STRAIGHT BORE, GUN INSERT, 7/16" BORE
<input type="checkbox"/>	3	1348-1000 NOZZLE, TUNGSTEN CARBIDE, STRAIGHT BORE, GUN INSERT, 1/5" BORE
<input type="checkbox"/>	3	1348-630 NOZZLE, BORON CARBIDE, STRAIGHT BORE, GUN INSERT, 5/16" BORE
<input type="checkbox"/>	3	1348-640 NOZZLE, BORON CARBIDE, STRAIGHT BORE, GUN INSERT, 3/8" BORE
<input type="checkbox"/>	3	1348-650 NOZZLE, BORON CARBIDE, STRAIGHT BORE, GUN INSERT, 7/16" BORE
<input type="checkbox"/>	3	1348-1090 NOZZLE, BORON CARBIDE, STRAIGHT BORE, GUN INSERT, 1/2" BORE
<input type="checkbox"/>	3	1348-1820 NOZZLE, TUNGSTEN CARBIDE, STRAIGHT BORE, WIDE SPRAY, 3/8" BORE















PARTS CHECKLIST

Be Sure The Part You Need Is The Part You Get



Line #		
<input type="checkbox"/>	3	 1348-590 NOZZLE, BORON CARBIDE, STRAIGHT BORE, WIDE SPRAY, 5/16" BORE
<input type="checkbox"/>	3	 1348-600 NOZZLE, BORON CARBIDE, STRAIGHT BORE, WIDE SPRAY, 3/8" BORE
<input type="checkbox"/>	3	 1348-610 NOZZLE, BORON CARBIDE, STRAIGHT BORE, WIDE SPRAY, 7/16" BORE
<input type="checkbox"/>	4	 1348-230 NOZZLE, EXTENSION #5, 3" LONG
<input type="checkbox"/>	4	 1348-240 NOZZLE, EXTENSION #6, 3" LONG
<input type="checkbox"/>	4	 1348-250 NOZZLE, EXTENSION #7, 3" LONG
<input type="checkbox"/>	4	 1348-340 NOZZLE, EXTENSION #5, 6" LONG
<input type="checkbox"/>	5	 1661-60 GUARD, WIDE SPRAY NOZZLE
<input type="checkbox"/>	6	 1423-70 O-RING
<input type="checkbox"/>	7	 1424-480 RETAINING RING, WIDE SPRAY
<input type="checkbox"/>	8	 1237-10 GUN BODY, HAND
<input type="checkbox"/>	9	 1347-1230 NUT, LOCKING

Line #		
<input type="checkbox"/>	10	 1450-50 SLEEVE, RUBBER
<input type="checkbox"/>	11	 1701-290 ORIFICE, 1/8"
<input type="checkbox"/>	11	 1701-300 ORIFICE, 5/32"
<input type="checkbox"/>	11	 1701-310 ORIFICE, 3/16"
<input type="checkbox"/>	11	 1701-320 ORIFICE, 7/32"
<input type="checkbox"/>	11	 1701-330 ORIFICE, 1/4"
<input type="checkbox"/>	12	 1219-300 FITTING, 1/2" SWIVEL x 1/2" PUSH LOK
<input type="checkbox"/>	12	 1219-350 FITTING, 1/2" SWIVEL TO 3/8" BARB
<input type="checkbox"/>	13	 112-4720 HOSE, AIR, 1/2" INSTAGRIP
<input type="checkbox"/>	14	 1219-340 FITTING, 1/2" BARB STEM
<input type="checkbox"/>	15	 112-4760 HOSE, SUCTION, 1/2" URETHANE
<input type="checkbox"/>	15	 112-4710 HOSE, SUCTION, BLACK, NOM. ID 1/2" x 15/16" OD, 2 PLY, PRICE PER FOOT, SECTION SIZE 400'